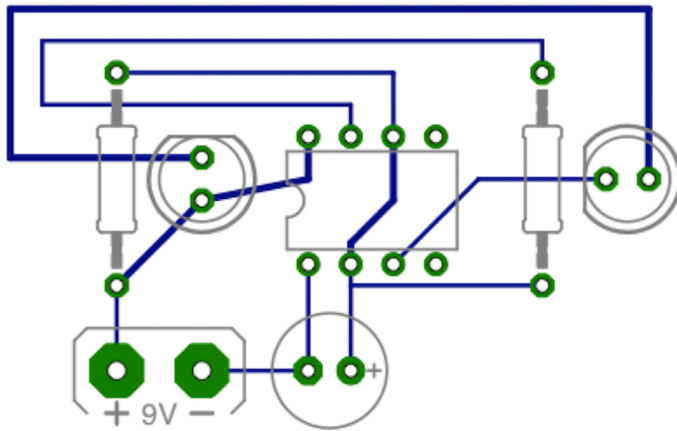
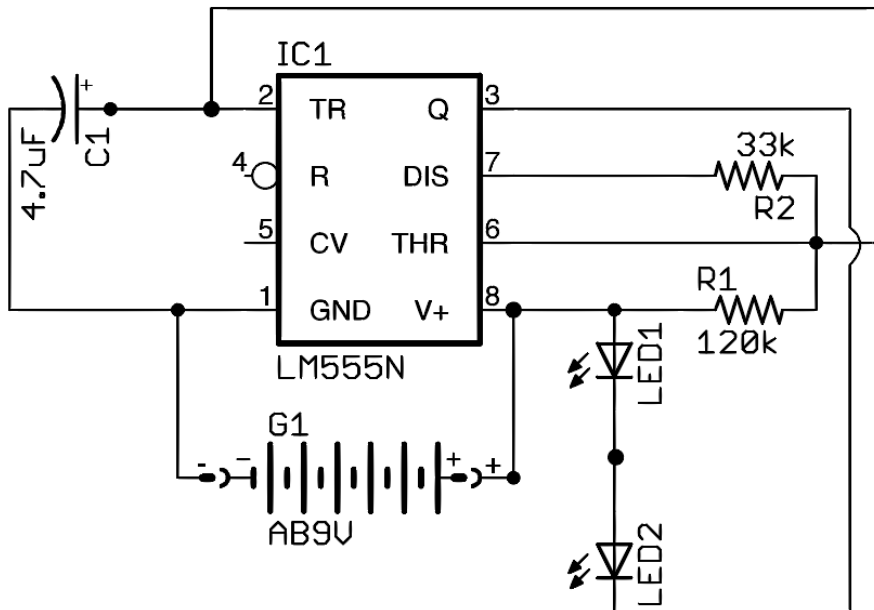


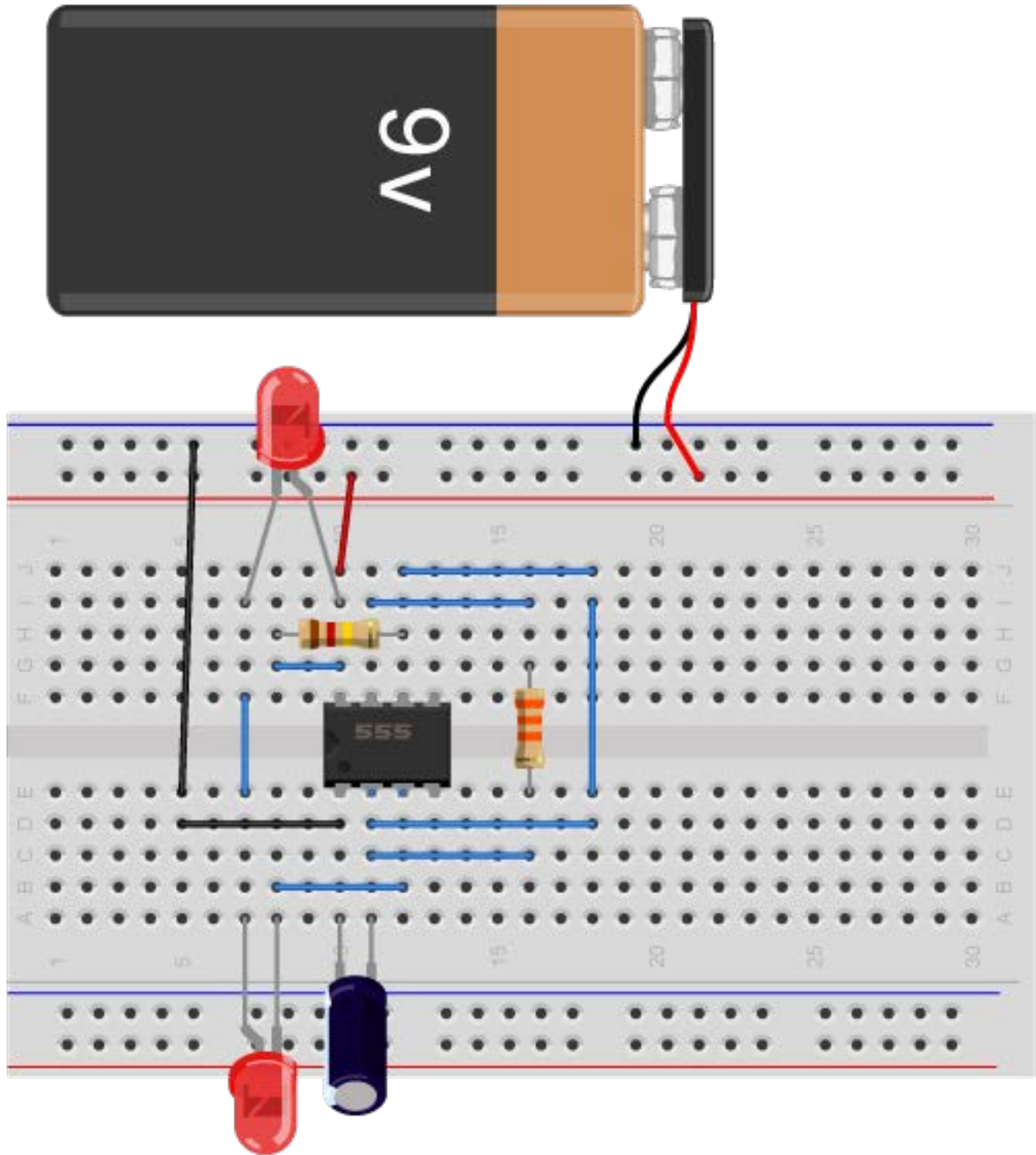
top side of blinky board



topside without part labels

blinky circuit schematic





Made with  Fritzing.org